

PORTABLE - BATTERY POWERED - MODEL 3N-1

TRANSMITTER

ANT.

RECEIVER

TUNING

TUNING

NOVICE

40 METERS | 80 METERS

5 4.5 4 3.8 3.5
6 7 8

ANT. LOADING



CRYSTAL

KEY

ONES

ON OFF REG.

TRANS.

REC.







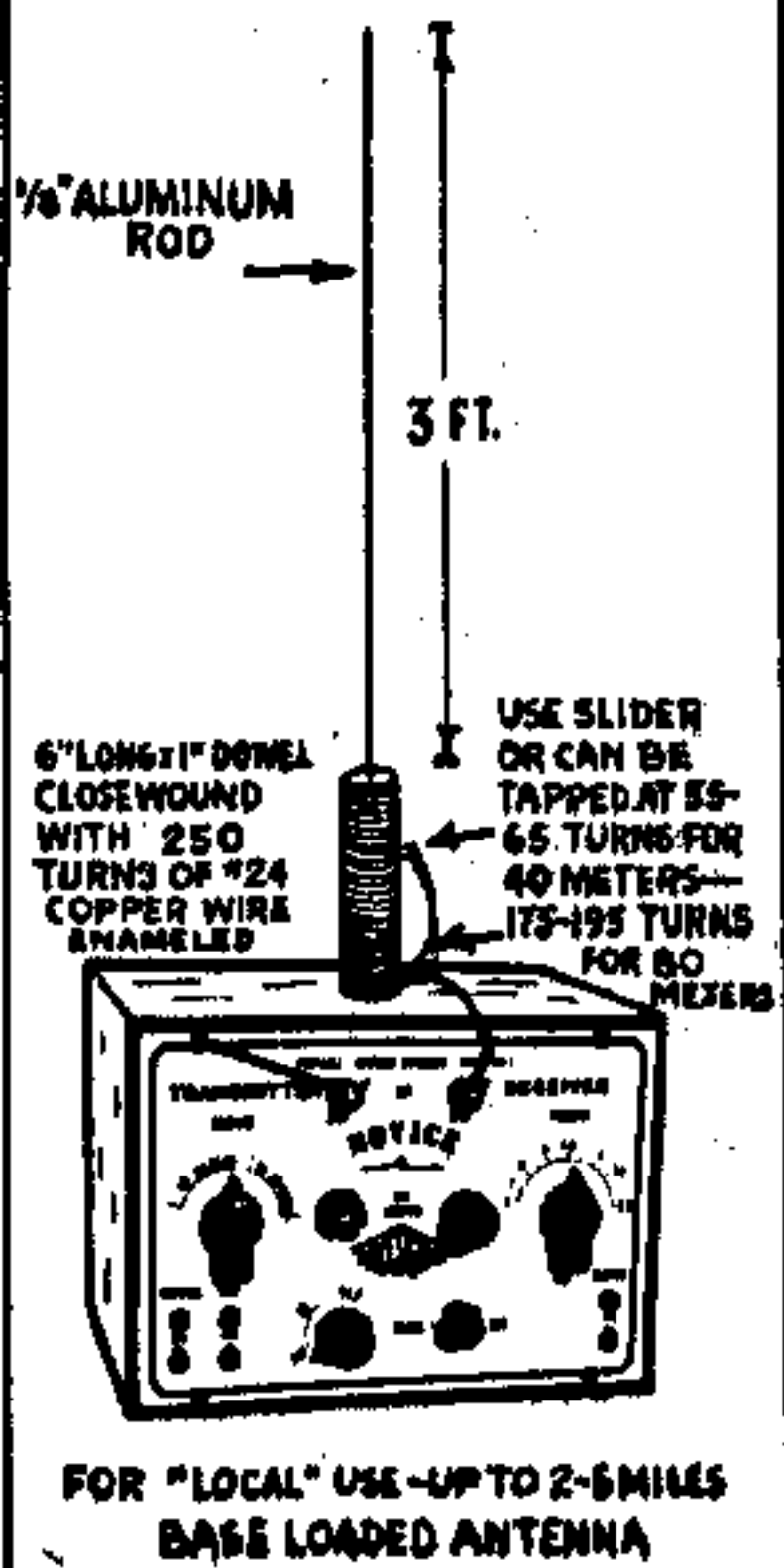
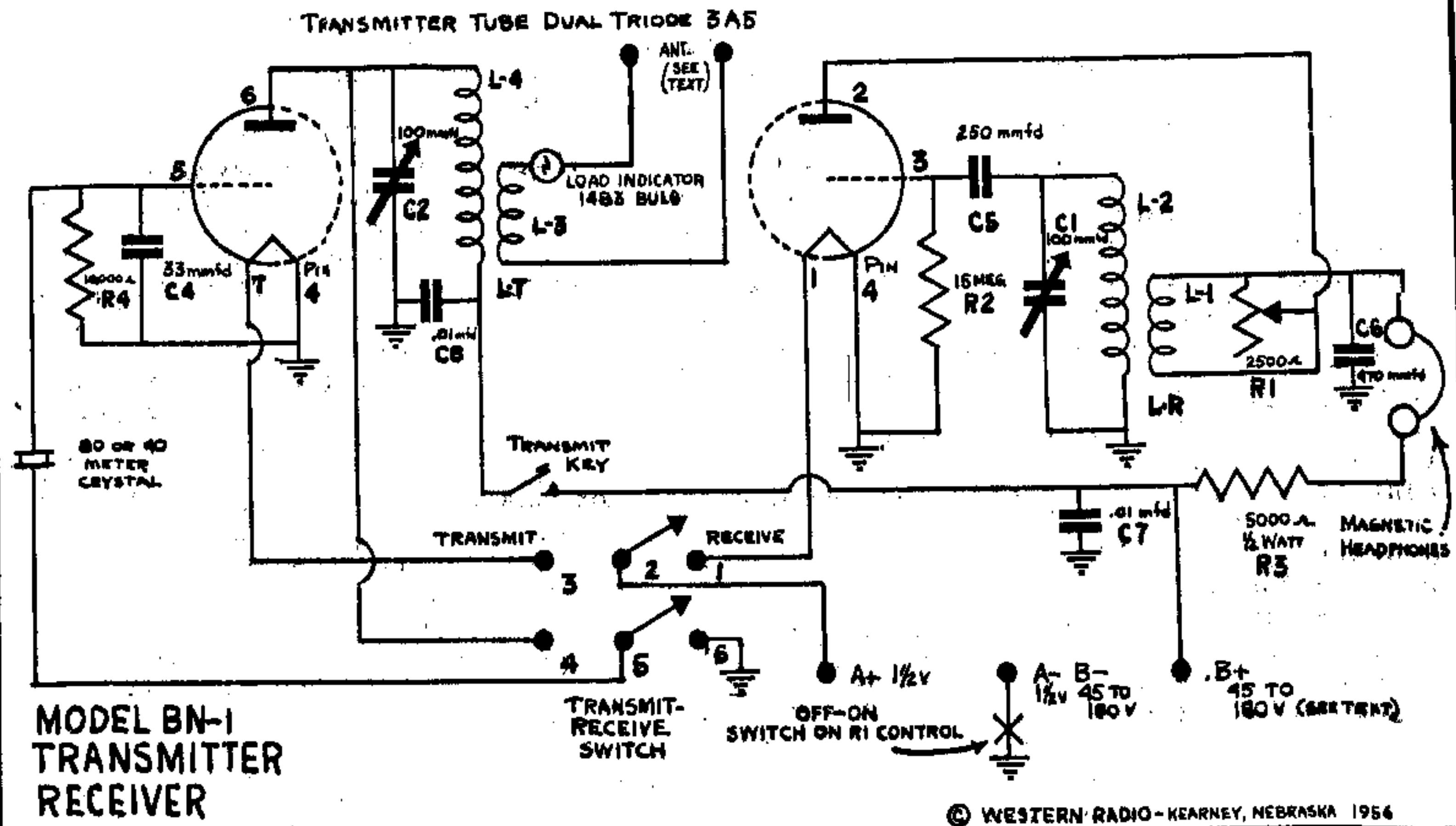
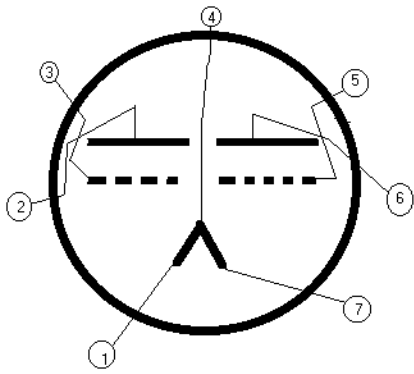


FIG. 6



V

3A5



Construction information for the coils used in the BN-1:

Coil number	# of turns	coil length	form dia.	Notes
L1	13	0.18	0.50	on same form as L2
L2	55	0.85	0.50	on same form as L1
L3	15	0.31	0.56	slides over L4
L4	67	1.03	0.50	

All dimensions are in inches.

All coil forms are thin wall cardboard tubing.

L1 and L2 are separated by about 0.06 inch.

All windings appear to be 32 AWG varnish coated magnet wire.
